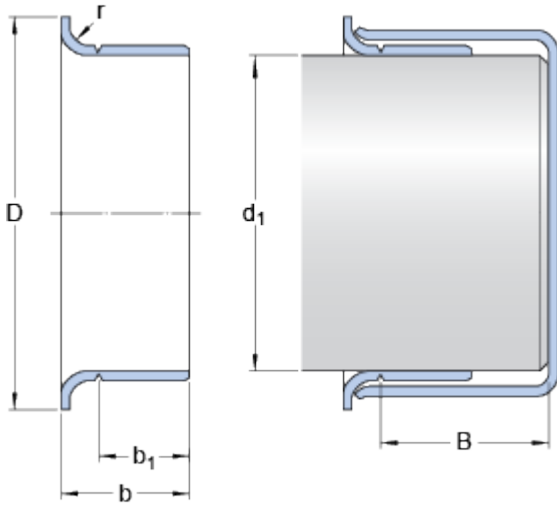


99134

Dimensions



Nominal dimensions

| | | | |
|--------------------------------|-------|--------|----|
| d_1 | | 34 | mm |
| D | | 41.275 | mm |
| Tolerance outside diameter D | \pm | 1.6 | mm |
| b | | 15.875 | mm |
| Tolerance width b | \pm | 0.8 | mm |
| b_1 | | 12.7 | mm |
| Tolerance width b_1 | \pm | 0.8 | mm |
| B | max. | 20.65 | mm |
| r | max. | 3.18 | mm |

Shaft diameter range

| | | | |
|-------|------|--------|----|
| d_1 | min. | 33.858 | mm |
| d_1 | max. | 34.011 | mm |